

**PRODUCT: STAINLESS STEEL WALL VENT CAP ( \_WVSS\_ )**

**MATERIALS:** STAINLESS STEEL

**SIZES:** 3" - 10" | SCREEN ONLY, DAMPER ONLY, DAMPER & SCREEN



"A Tradition of Quality Since 1937"

*Artis Metals Company*

**PRODUCT HIGHLIGHTS**

THE ARTIS WALL CAP IS IDEAL FOR USE WITH THE DAMPER ONLY DRYER VENTING, KITCHEN FAN EXHAUST, BATH FAN EXHAUST, FURNACE AIR INTAKE (SCREEN ONLY), WHOLE HOUSE VENTILATIONS, AND HRV'S. VENTS WITH DAMPERS COME STANDARD WITH A SPRING CLOSURE DAMPER AND WEATHER SEAL FOR INCREASED ENERGY

- SPRING CLOSE FOAM LINED DAMPERS
- STAINLESS STEEL SCREENS ARE 1/4"
- 1/8" SCREENS AVAILABLE UPON REQUEST
- HOOD, FLANGE, AND COLLAR (304-2B)
- DAMPER (.020 ALUM)

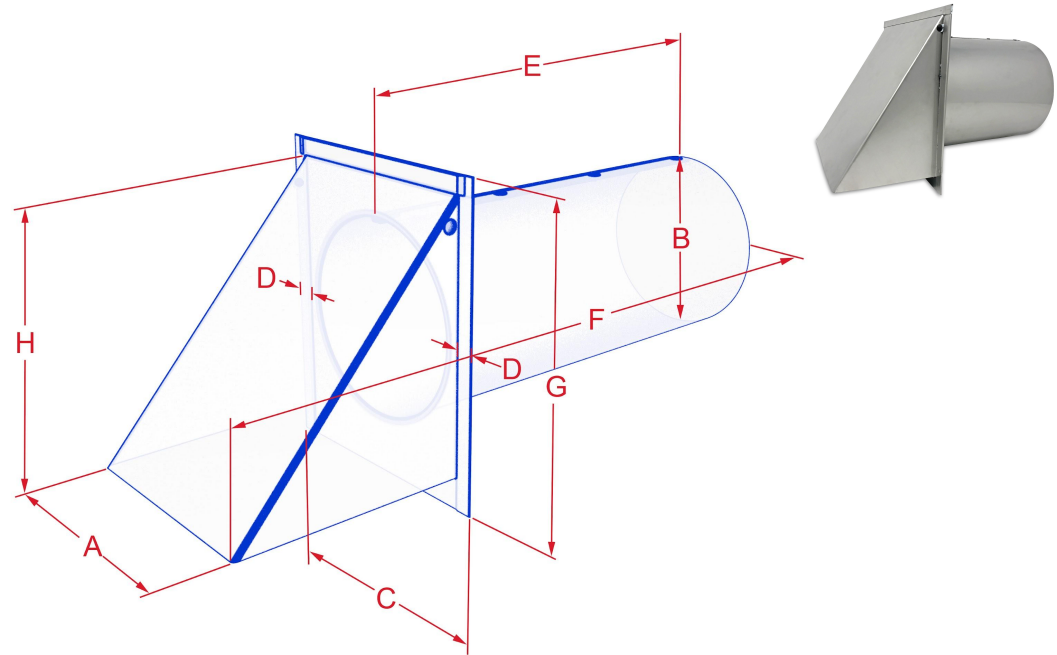
**SPECIFICATION KEY**

SPECIFY DAMPER & SCREEN OPTIONS BEFORE PART

D = DAMPER ONLY (**D**WV \_\_#)

S = SCREEN ONLY (**S**WV \_\_#)

SD = DAMPER & SCREEN (**SD**WV \_\_#)



SKU	SIZE	A	B	C	D	E	F	G	H
_WVSS3	3"	5.00	3.00	6.00	.5	8.5	12.375	6.625	5.375
_WVSS4	4"	5.00	4.00	6.00	.5	8.5	12.375	6.625	5.375
_WVSS5	5"	6.00	5.00	7.00	.5	8.5	12.25	7.00	6.125
_WVSS6	6"	7.0625	6.00	8.00	.5	8.5	12.75	8.00	7.375
_WVSS7	7"	7.875	7.00	9.00	.5	8.5	13.75	9.00	7.875
_WVSS8	8"	9.875	8.00	11.00	.5	8.5	13.625	11.00	9.812
_WVSS10	10"	12.00	10.00	13.00	.5	8.5	15.00	13.5	11.812

