

PRODUCT: TAPERED REDUCER (THREE PIECES) | (TR__)

MATERIALS: GALVANIZED & ALUMINUM

SIZES: 4" - 12"



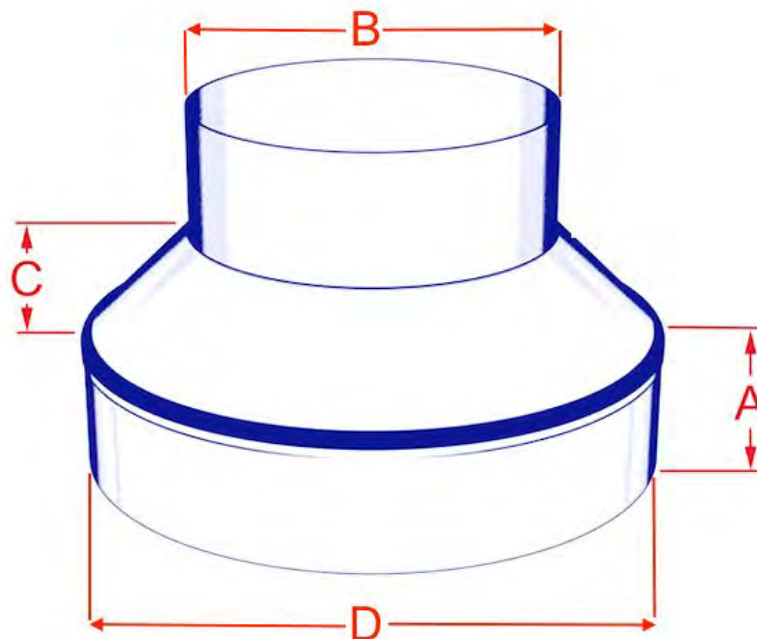
"A Tradition of Quality Since 1937"

Artis Metals Company

PRODUCT HIGHLIGHTS

DESIGNED TO REDUCE DUCT SIZE IN A TAPERED TRANSITION.

- FOR DUCTWORK OR STOVEPIPE
- 3 PIECE 26 GAUGE CONSTRUCTION
- NO CRIMPS
- AVAILABLE IN MANY SIZES
- ALUMINUM (.025)
- GALVANIZED (R90 26GA)



SKU	A	B	C	D	SKU	A	B	C	D	SKU	A	B	C	D
TR4X3	1.75	3.00	7.50	4.00	TR7X4	1.75	4.00	8.50	7.00	TR9X5	1.75	5.00	10.00	9.00
TR5X3	1.75	3.00	8.25	5.00	TR8X7	1.75	7.00	7.75	8.00	TR10X9	1.75	9.00	7.75	10.00
TR5X4	1.75	4.00	7.25	5.00	TR8X6	1.75	6.00	8.25	8.00	TR10X8	1.75	8.00	8.50	10.00
TR6X5	1.75	5.00	7.75	6.00	TR8X5	1.75	5.00	8.50	8.00	TR10X7	1.75	7.00	8.50	10.00
TR6X4	1.75	4.00	8.25	6.00	TR8X4	1.75	4.00	9.25	8.00	TR10X6	1.75	6.00	9.25	10.00
TR6X3	1.75	3.00	8.75	6.00	TR9X8	1.75	8.00	7.50	9.00	TR12X10	1.75	10.00	8.25	12.00
TR7X6	1.75	6.00	8.50	7.00	TR9X7	1.75	7.00	8.25	9.00	TR12X9	1.75	9.00	8.75	12.00
TR7X5	1.75	5.00	8.25	7.00	TR9X6	1.75	6.00	9.25	9.00	TR12X8	1.75	8.00	9.25	12.00



PRODUCT: TAPERED REDUCER (THREE PIECES) | (TR_)

MATERIALS: GALVANIZED & ALUMINUM

SIZES: 14" - 22"



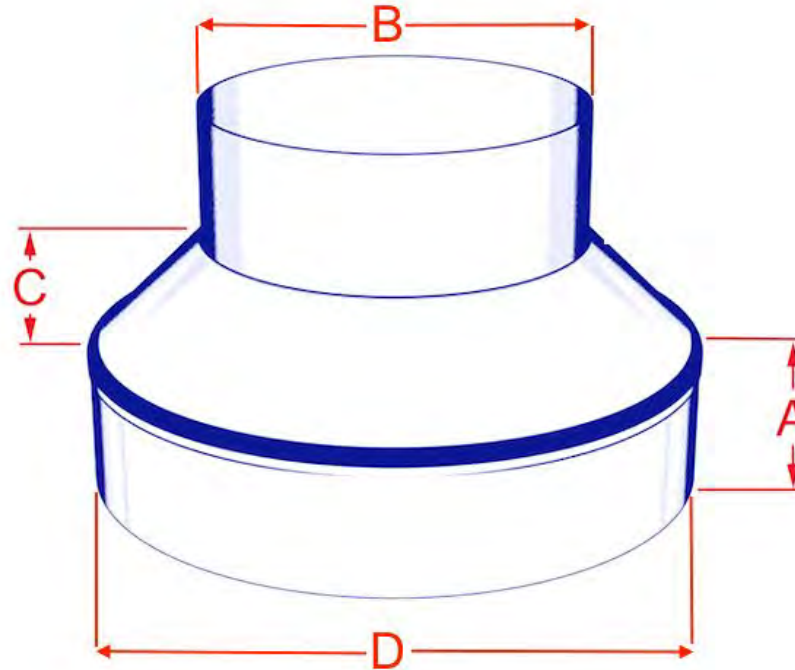
"A Tradition of Quality Since 1937"

Artis Metals Company

PRODUCT HIGHLIGHTS

DESIGNED TO REDUCE DUCT SIZE IN A TAPERED TRANSITION.

- FOR DUCTWORK OR STOVEPIPE
- 3 PIECE 26 GAUGE CONSTRUCTION
- NO CRIMPS
- AVAILABLE IN MANY SIZES
- ALUMINUM (.025)
- GALVANIZED (R90 26GA)



SKU	A	B	C	D	SKU	A	B	C	D	SKU	A	B	C	D
TR14X10	1.75	10.00	9.25	14.00	TR18X14	1.75	14.00	9.00	18.00	TR20X16	1.75	16.00	9.25	20.00
TR14X12	1.75	12.00	8.25	14.00	TR18X16	1.75	16.00	8.25	18.00	TR20X18	1.75	18.00	8.00	20.00
TR16X10	1.75	10.00	9.50	16.00	TR20X12	1.75	12.00	10.00	20.00	TR22X16	1.75	16.00	10.25	22.00
TR16X14	1.75	14.00	8.25	16.00	TR20X14	1.75	14.00	9.25	20.00	TR22X18	1.75	18.00	9.25	22.00
TR18X10	1.75	14.00	10.00	18.00	TR18X12	1.75	12.00	10.00	18.00	TR22X20	1.75	20.00	8.25	22.00

