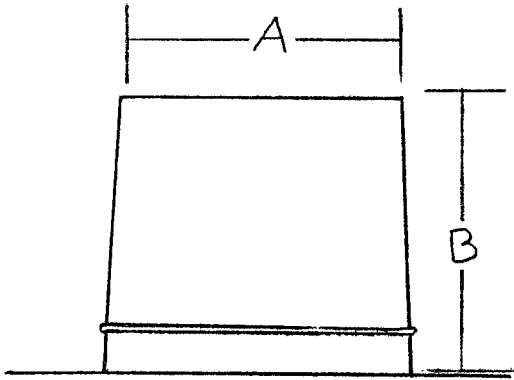
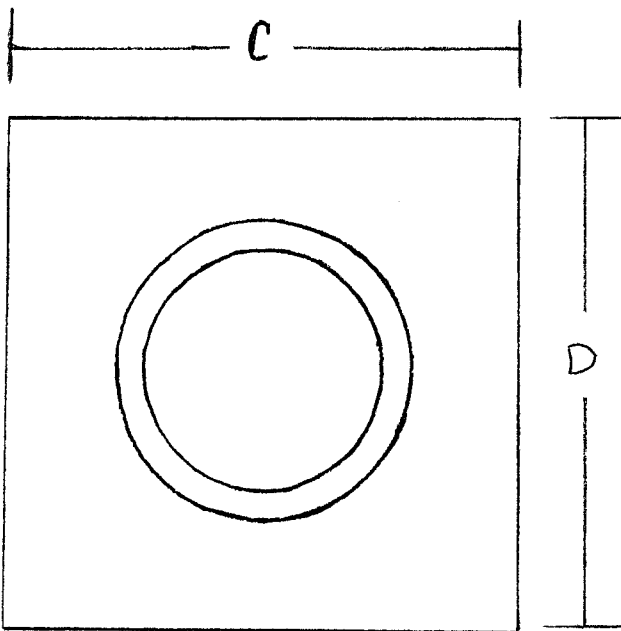


# FLAT PITCH TALL CONE FLASHING FOR B-VENT PIPE



"A Tradition of Quality Since 1937"

*Artis Metals Company, Inc.*



- ◆ MANUFACTURED FOR DOUBLE WALL PIPE
- ◆ LARGE BASE FLANGE
- ◆ POLYURETHANE SEALANT FOR WATERTIGHT SEAL
- ◆ FOR USE ON FLAT ROOF
- ◆ GALVANIZED (G-90)
- ◆ STAINLESS STEEL (304-2B)

	A	B	C	D
3.50"	3.50	12.00	20.00	20.00
4.50"	4.50	12.00	20.00	20.00
5.50"	5.50	12.00	22.00	22.00
6.50"	6.50	12.00	22.00	22.00
7.50"	7.50	12.00	24.00	24.00
8.50"	8.50	12.00	24.00	24.00
9.50"	9.50	12.00	26.00	26.00
10.50"	10.50	12.00	26.00	26.00
12.50"	12.50	12.00	28.00	28.00