

# PRODUCT: COPPER RECTANGULAR WALL VENT CAP | (RC\_\_)

MATERIALS: COPPER

SIZES: 3.25 X 10" | SCREEN ONLY, DAMPER ONLY, DAMPER & SCREEN



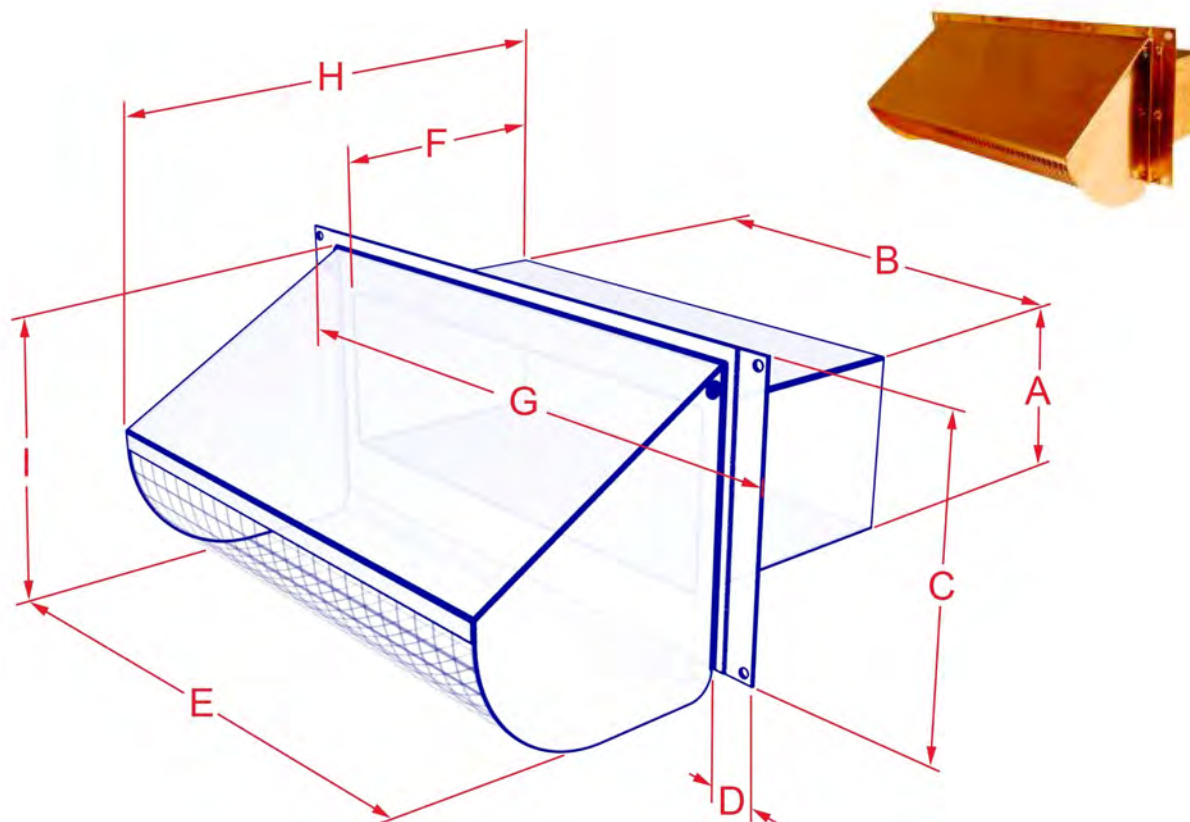
"A Tradition of Quality Since 1937"

Artis Metals Company

## PRODUCT HIGHLIGHTS

THE RECTANGULAR WALL CAP IS IDEAL FOR USE AS KITCHEN FAN EXHAUST. HEAVY DUTY CONSTRUCTION WITH SPRING CLOSURE DAMPER AND WEATHER SEAL FOR INCREASED ENERGY EFFICIENCY AND NOISE REDUCTION.

- HOOD DESIGN PREVENTS WIND INDUCED RATTLING AND RAIN PENETRATION
- 16 OZ. COPPER
- DAMPER IS SPRING LOADED AND HAS A FOAM SEAL TO ENSURE MAXIMUM NOISE AND WEATHER PROTECTION
- ALL COPPER WALL CAPS ARE MANUFACTURED WITH COPPER SCREEN INSTALLED
- 1/4" COPPER SCREEN



DAMPER	DAMPER & SCREEN	SIZE	A	B	C	D	E	F	G	H
RC310	RC310S	3.25 X 10"	3.25	10.00	5.825	1.00	11.00	4.875	12.75	9.50

