

PRODUCT: CONE TOP CAP (CT)

MATERIALS: GALVANIZED & STAINLESS STEEL

SIZES: 3" - 16"



"A Tradition of Quality Since 1937"

Artis Metals Company

PRODUCT HIGHLIGHTS

THE ARTIS CONE TOP CAP IS FOR USE AS AN ALL-WEATHER CAP TO KEEP RAIN AND SNOW FROM LEAKING INTO CHIMNEY PIPE AS WELL AS FOR VENTILATION. CONVENIENT DRAWBOLT INSTALLATION FOR SECURE FIT UP TO SIZE 16", 18" & UP, BUILT TO FIT.

- KEEPS RAIN & SNOW OUT
- STANDARD IS WITHOUT SCREEN
- 1/2", 1/4", OR 1/8" SCREEN AVAILABLE BY REQUEST
- GALVANIZED (G-90)
- STAINLESS STEEL (304-2B)

SPECIFICATION KEY

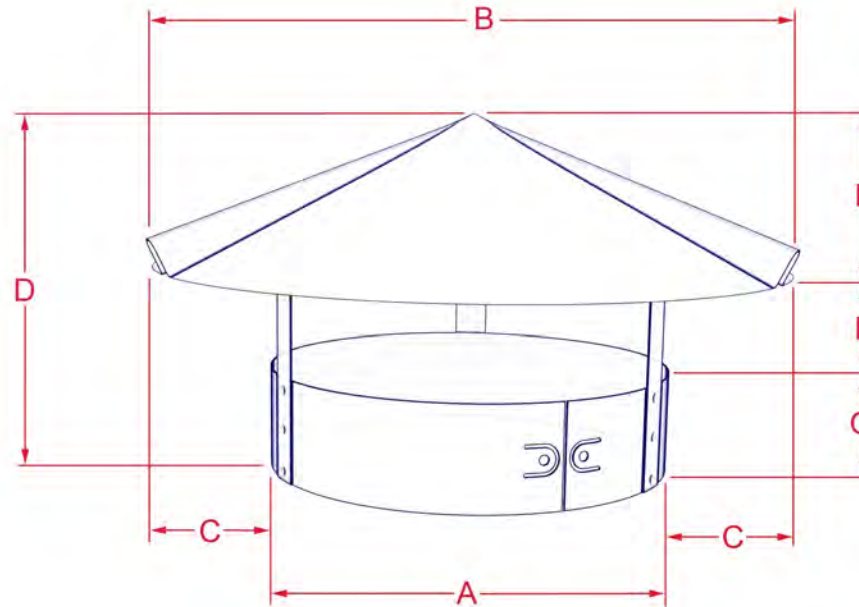
SPECIFY MATERIAL AFTER PART

G = GALVANIZED (GCT#)

SS = STAINLESS STEEL (SCT#)

AVAILABLE UP TO 24"

(CALL FOR MORE INFO)



SKU	SIZE	A	B	C	D	E	F	G
CT3	3"	3.00	6.50	1.50	4.25	2.50	1.00	2.00
CT4	4"	4.00	7.50	1.75	5.75	2.50	1.25	2.00
CT5	5"	5.00	8.75	1.75	5.75	2.50	1.25	2.00
CT6	6"	6.00	10.25	2.00	6.50	3.00	1.50	2.00
CT7	7"	7.00	11.50	2.00	6.50	2.75	1.75	2.00
CT8	8"	8.00	12.50	2.25	7.00	3.00	2.00	2.00
CT9	9"	9.00	14.00	2.50	7.75	3.25	2.50	2.00
CT10	10"	10.00	15.00	2.75	8.50	3.50	3.00	2.00
CT12	12"	12.00	18.00	3.00	10.00	4.00	4.00	2.00
CT14	14"	14.00	21.00	3.50	10.00	4.00	4.00	2.00
CT16	16"	16.00	21.50	3.75	10.00	4.25	3.75	3.00

