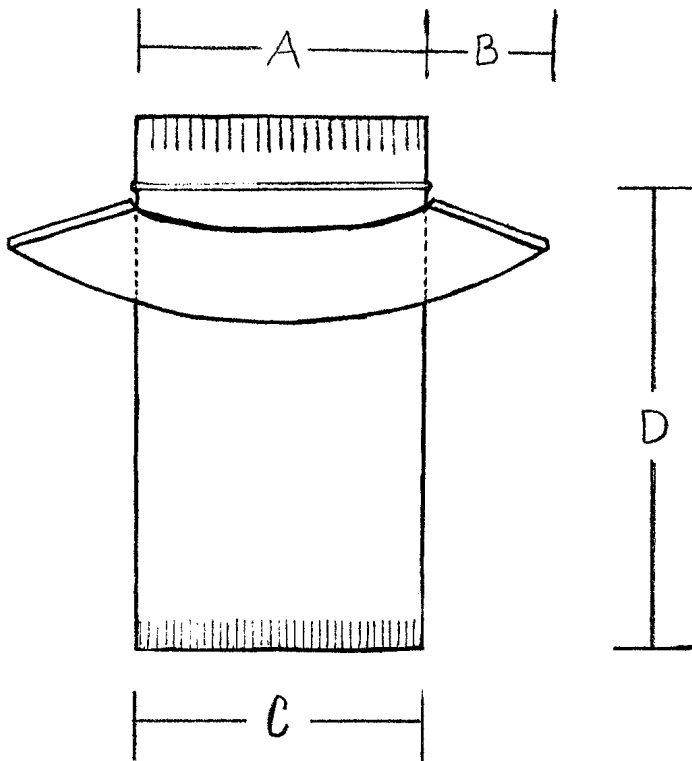


WIND CAP ADAPTOR



"A Tradition of Quality Since 1937"

Artis Metals Company, Inc.



- ◆ MANUFACTURED FOR USE INSIDE DOUBLE OR TRIPLE WALL PIPE
- ◆ CAN BE USED WITH ANY STYLE CHIMNEY CAP
- ◆ 3" WIDE COLLAR PROVIDES WEATHER PROTECTION
- ◆ TOP OF COLLAR IS CRIMPED FOR EASY ASSEMBLY
- ◆ GALVANIZED (G-90)
- ◆ STAINLESS STEEL (304-2B)

	A	B	C	D
5"	4.875	3.00	4.875	9.75
6"	5.875	3.00	5.875	9.75
7"	6.875	3.00	6.875	9.75
8"	7.875	3.00	7.875	9.75
10"	9.875	3.00	9.875	9.75
12"	11.875	3.00	11.875	9.75