

# PRODUCT: ROOF BASE - FLAT | (FB\_\_)

MATERIALS: GALVANIZED

SIZES: 4" - 30"



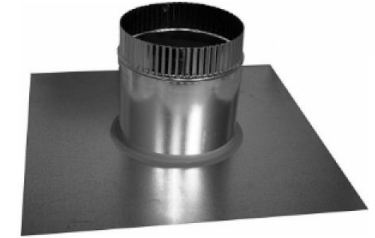
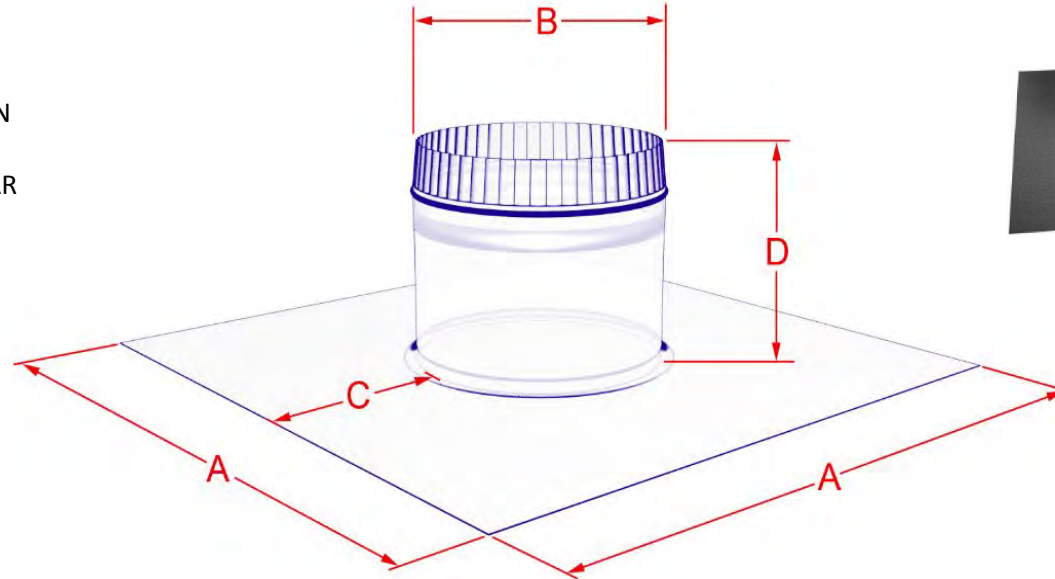
"A Tradition of Quality Since 1937"

Artis Metals Company

## PRODUCT HIGHLIGHTS

THE ARTIS FLAT BASE IS DESIGNED FOR USE ON FLAT ROOFS AND CAN BE USED WITH ARTIS ROOF VENTILATORS OR CHIMNEY CAPS. COLLAR IS CRIMPED AT THE TOP FOR EASE OF CAP INSTALLATION.

- FOR USE WITH ROTARY OR STATIONARY VENTILATORS
- FOR USE WITH FLAT ROOFS
- LARGE BASE FLANGE
- TOP OF COLLAR CRIMPED FOR EASY ASSEMBLY
- CURB MOUNT AVAILABLE WITH CUSTOMER DIMENSIONS
- GALVANIZED (G-90)



SKU	SIZE	A	B	C	D
FB3	3"	12.00	3.00	4.50	3.00
FB4	4"	12.00	4.00	4.00	4.00
FB5	5"	15.00	5.00	5.00	5.00
FB6	6"	15.00	6.00	4.50	6.00
FB7	7"	16.00	7.00	4.50	7.00
FB8	8"	16.00	8.00	4.00	8.00
FB10	10"	18.00	10.00	4.00	10.00

SKU	SIZE	A	B	C	D
FB12	12"	20.00	12.00	4.00	10.00
FB14	14"	22.00	14.00	4.00	10.00
FB16	16"	24.00	16.00	4.00	12.00
FB18	18"	26.00	18.00	4.00	12.00
FB20	20"	28.00	20.00	4.00	12.00
FB22	22"	30.00	22.00	4.00	16.00
FB24	24"	32.00	24.00	4.00	18.00
FB30	30"	40.00	30.00	5.00	20.00

