

# PRODUCT: GLOBE VENT ( \_GV\_ )

MATERIALS: GALVANIZED

SIZES: 4" - 24"



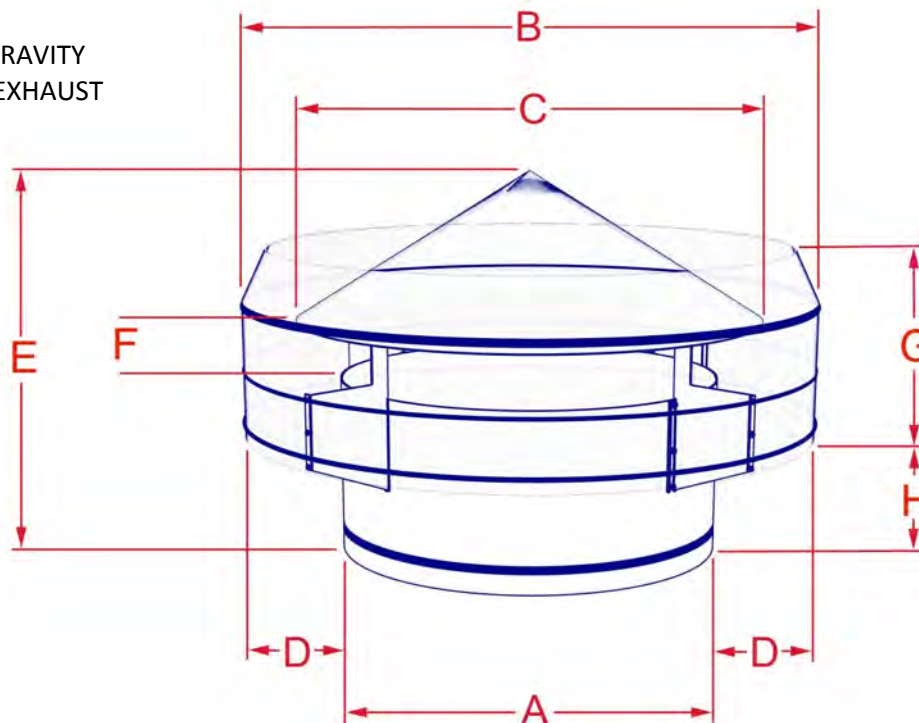
"A Tradition of Quality Since 1937"

Artis Metals Company

## PRODUCT HIGHLIGHTS

THE ARTIS GLOBE VENT IS IDEAL FOR USE AS A GRAVITY VENTILATOR. IT CAN ALSO BE USED FOR FORCED EXHAUST VENTILATION.

- 1/8" INSECT SCREEN STANDARD
- GALVANIZED (G-90)



SKU	SIZE	A	B	C	D	E	F	G	H
GGV426	4"	4.00	6.00	5.00	1.00	5.00	0.50	1.75	2.50
GGV526	5"	5.00	8.00	6.50	1.50	5.50	1.00	2.50	2.50
GGV626	6"	6.00	8.50	7.50	1.25	6.50	1.50	2.25	3.50
GGV726	7"	7.00	10.00	9.00	1.50	7.50	1.50	2.50	3.75
GGV826	8"	8.00	12.00	10.00	2.00	8.00	1.75	3.00	3.75
GGV926	9"	9.00	13.00	11.00	2.00	8.50	2.25	3.00	4.00
GGV1026	10"	10.00	14.00	13.00	2.00	9.50	2.50	3.25	4.50

SKU	SIZE	A	B	C	D	E	F	G	H
GGV1226	12"	12.00	17.00	15.00	2.50	11.00	3.00	4.00	5.00
GGV1426	14"	14.00	20.00	18.00	3.00	12.50	3.00	4.50	6.00
GGV1626	16"	16.00	22.00	20.00	3.00	15.00	4.00	5.00	7.00
GGV1826	18"	18.00	26.00	23.00	4.00	16.00	4.50	5.50	7.50
GGV2026	20"	20.00	28.00	25.50	4.00	18.00	5.00	6.00	10.00
GGV2226	22"	24.00	30.00	27.00	5.00	19.00	5.50	6.50	9.50
GGV2426	24"	24.00	33.00	30.00	4.50	21.00	6.00	7.00	10.00

