

PRODUCT: MASTER GRAVITY VENTILATOR (MVR__)

MATERIALS: GALVANIZED, ALUMINUM & STAINLESS STEEL

SIZES: 4" - 36"



"A Tradition of Quality Since 1937"

Artis Metals Company

PRODUCT HIGHLIGHTS

THE MASTER GRAVITY VENT IS A MULTI-PURPOSE VENTILATOR THAT SERVES AS AN EFFECTIVE RAIN CAP.

GALVANIZED STEEL (24-26 GAUGE)

ALUMINUM (.025)

STAINLESS STEEL (304-2B)

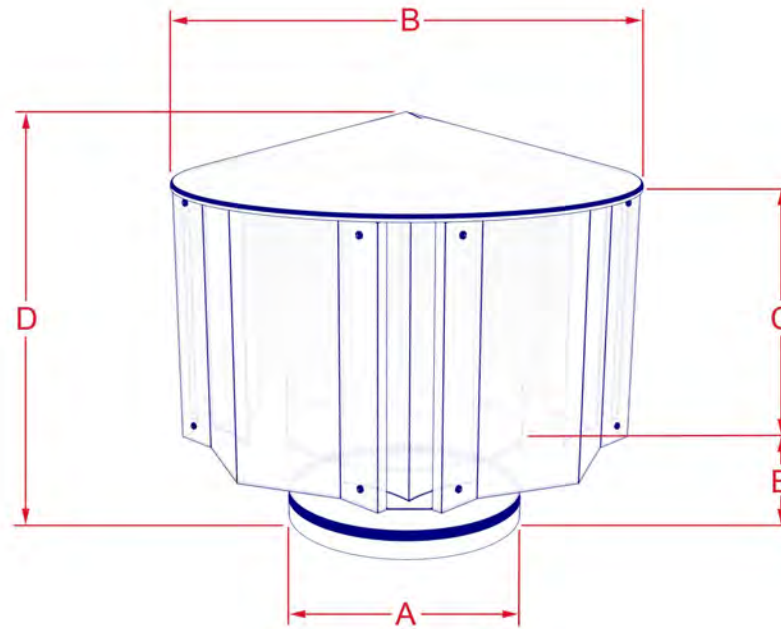
MATERIAL KEY

SPECIFY MATERIAL AFTER PART

G = GALVANIZED (MVR#**G**)

A = ALUMINUM (MVR#**A**)

S = STAINLESS STEEL (MVR#**S**)



SIZE	GALV. GAUGE	ALUM. GAUGE
4"	26.00	0.03
6"	26.00	0.03
8"	24.00	0.03
10"	24.00	0.03
12"	24.00	0.03
14"	24.00	0.03
16"	24.00	0.03
18"	24.00	0.03
20"	22.00	0.03
24"	22.00	0.03
30"	20.00	0.40
36"	20.00	0.4

SKU	SIZE	A	B	C	D	E	NECK AREA SQ. FT.	CFM
MVR4__	4"	4.00	7.00	4.50	7.125	2.00	0.09	-
MVR6__	6"	6.00	10.00	6.50	9.625	2.75	0.20	-
MVR8__	8"	8.00	13.25	8.50	12.75	3.00	0.35	153.00
MVR10__	10"	10.00	16.25	10.50	15.00	2.875	0.55	239.00
MVR12__	12"	12.00	19.50	12.50	17.25	2.875	0.79	345.00
MVR14__	14"	14.00	22.625	14.50	19.625	2.875	1.07	469.00
MVR16__	16"	16.00	25.75	16.50	21.875	2.125	1.40	613.00
MVR18__	18"	18.00	29.00	18.75	23.50	2.125	1.77	776.00
MVR20__	20"	20.00	32.25	20.75	25.875	2.125	2.18	957.00
MVR24__	24"	24.00	38.375	24.75	30.375	3.125	3.14	1379.00
MVR30__	30"	30.00	48.00	30.75	38.375	3.225	4.91	2154.00
MVR36__	36"	36.00	57.375	36.75	45.5	3.25	7.068	3102

