

**PRODUCT: RECTANGULAR - WALL VENT CAP | (R\_\_\_\_)**

**MATERIALS:** GALVANIZED, ALUMINUM & POWDER COATED

**SIZES:** 3.25 X 10", 3.25 X 12", 3.25 X 14" | SCREEN ONLY, DAMPER ONLY, DAMPER & SCREEN



"A Tradition of Quality Since 1937"

Artis Metals Company

**MATERIAL & COLOR KEY**

**SPECIFY MATERIAL AFTER PART**

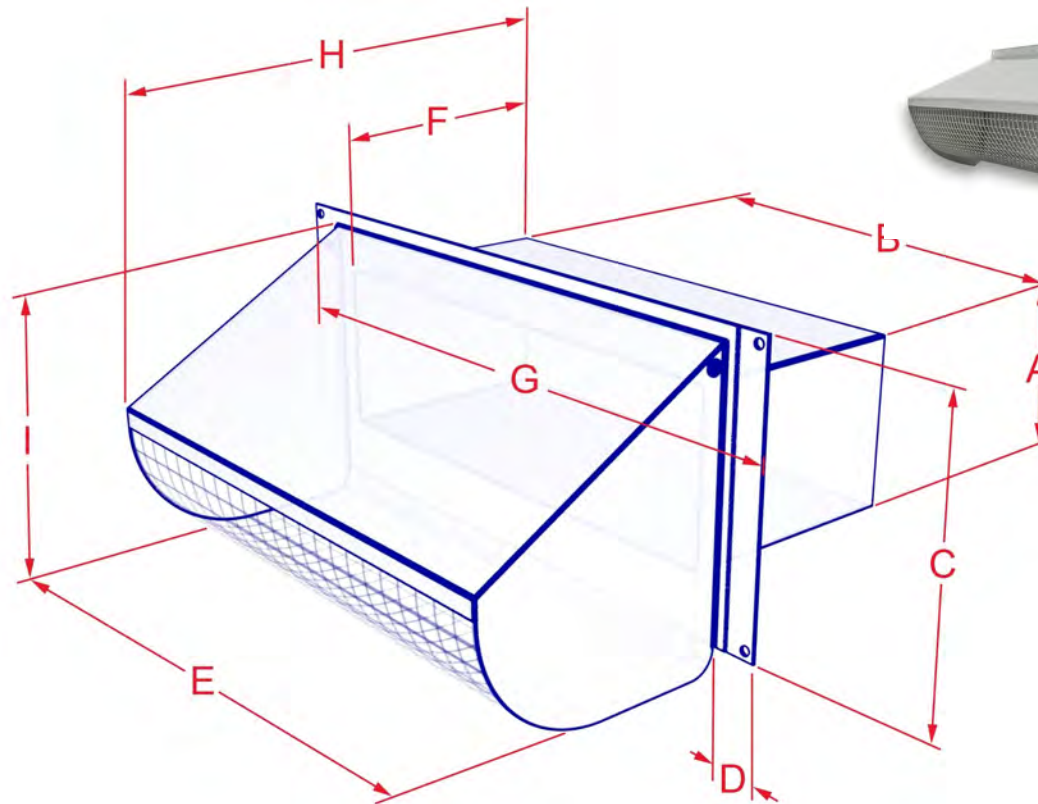
- LEAVE BLANK = GALVANIZED (R #)
- S = STAINLESS STEEL (RS #)
- A = ALUMINUM (RA #)

**SPECIFY DAMPER & SCREEN OPTIONS BEFORE PART**

- D = DAMPER ONLY (R\_\_#D)
- S = SCREEN ONLY (R\_\_#S)
- SD = DAMPER & SCREEN (R\_\_#SD)

**SPECIFY POWDER COATED COLORS AT END OF PART**

- BL = BLACK (RP #BL)
- BR = BROWN (RP #BR)
- W = WHITE (RP #W)



SKU	SIZE	A	B	C	D	E	F	G	H
R__310__	3.25 X 10"	3.25	10.00	5.635	1.00	11.00	4.875	12.75	9.50
R__312__	3.25 X 12"	3.25	12.00	5.625	1.00	12.875	4.875	14.563	9.50
R__314__	3.25 X 14"	3.25	14.00	5.625	1.00	15.875	4.875	16.563	9.50

