

PRODUCT: COPPER WALL VENT CAP (__WVC_)

MATERIALS: COPPER

SIZES: 3" - 10" | SCREEN ONLY, DAMPER ONLY, DAMPER & SCREEN



"A Tradition of Quality Since 1937"

Artis Metals Company

PRODUCT HIGHLIGHTS

THE ARTIS WALL CAP IS IDEAL FOR USE WITH THE DAMPER ONLY DRYER VENTING, KITCHEN FAN EXHAUST, BATH FAN EXHAUST, FURNACE AIR INTAKE (SCREEN ONLY), WHOLE HOUSE VENTILATIONS, AND HRV'S. VENTS WITH DAMPERS COME STANDARD WITH A SPRING CLOSURE DAMPER AND WEATHER SEAL FOR INCREASED ENERGY

- SPRING CLOSE FOAM LINED DAMPERS
- COPPER SCREENS ARE 1/4"
- 1/8" SCREENS AVAILABLE UPON REQUEST
- 16 OZ. COPPER

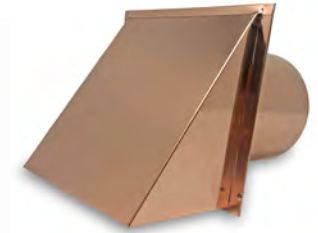
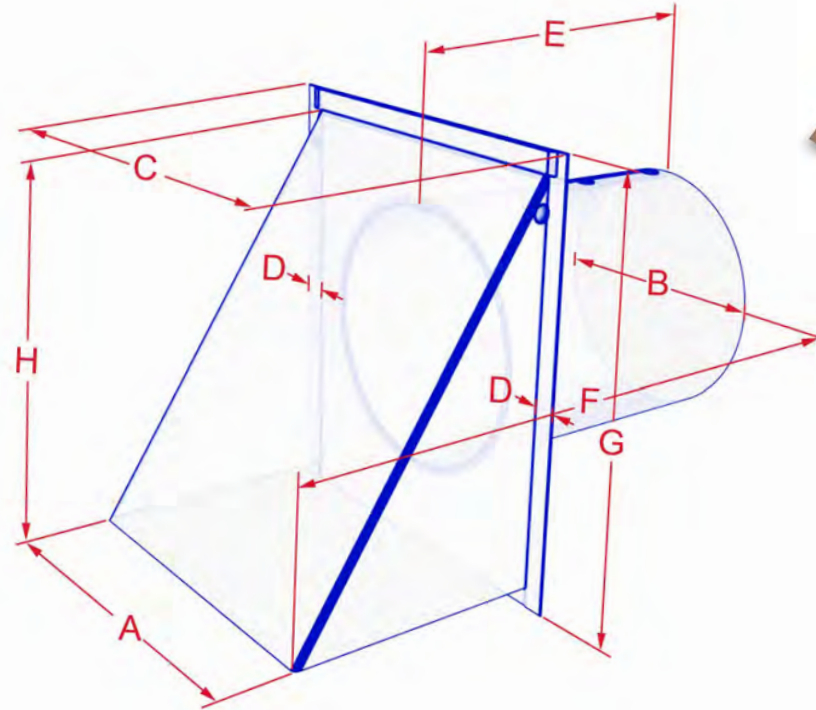
SPECIFICATION KEY

SPECIFY DAMPER & SCREEN OPTIONS BEFORE PART

D = DAMPER ONLY (**D**WV __#)

S = SCREEN ONLY (**S**WV __#)

SD = SCREEN & DAMPER (**SD**WV __#)



SKU	SIZE	A	B	C	D	E	F	G	H
__WVC3	3"	5.000	3.00	6.00	.5	5.00	12.375	6.625	5.375
__WVC4	4"	5.000	4.00	6.00	.5	5.00	12.375	6.625	5.375
__WVC5	5"	6.000	5.00	7.00	.5	5.00	12.250	7.000	6.125
__WVC6	6"	7.0625	6.00	8.00	.5	5.00	12.750	8.000	7.375
__WVC7	7"	9.375	7.00	9.00	.5	5.00	13.750	9.000	7.875
__WVC8	8"	9.375	8.00	11.00	.5	5.00	13.625	11.000	9.812
__WVC10	10"	12.000	10.00	13.00	.5	5.00	15.000	13.500	11.812

