

PRODUCT: WALL VENT CAP (_WV_)

MATERIALS: GALVANIZED, ALUMINUM

SIZES: 3"- 14" | SCREEN ONLY, DAMPER ONLY, DAMPER & SCREEN



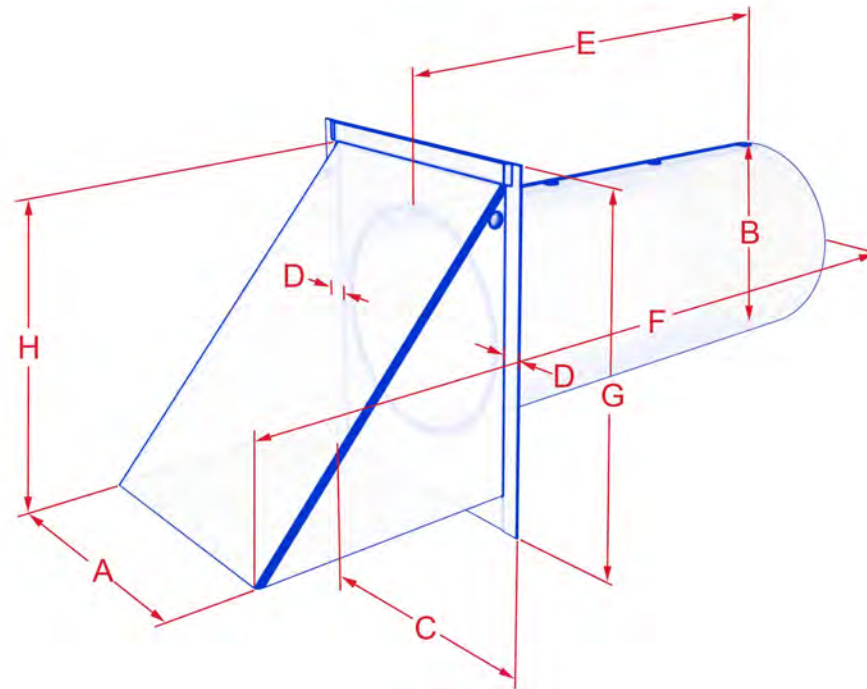
"A Tradition of Quality Since 1937"

Artis Metals Company

PRODUCT HIGHLIGHTS

THE ARTIS WALL CAP IS IDEAL FOR USE WITH THE DAMPER ONLY DRYER VENTING, KITCHEN FAN EXHAUST, BATH FAN EXHAUST, FURNACE AIR INTAKE (SCREEN ONLY), WHOLE HOUSE VENTILATIONS, AND HRV'S. VENTS WITH DAMPERS COME STANDARD WITH A SPRING CLOSURE DAMPER AND WEATHER SEAL FOR INCREASED ENERGY

- SPRING CLOSE FOAM LINED DAMPERS
- SCREENS ARE 1/4"
- 1/8" SCREENS AVAILABLE UPON REQUEST
- GALVANIZED ((G-90)
- ALUMINUM (H3003)
- POWDER COATED COLORS (BLACK, BROWN, WHITE)
- HOOD, FLANGE & DAMPER



SPECIFICATION KEY

SPECIFY DAMPER & SCREEN OPTIONS BEFORE PART

D = DAMPER ONLY (**D**WV_#)

S = SCREEN ONLY (**S**WV_#)

SD = DAMPER & SCREEN (**SD**WV_#)

SPECIFY MATERIAL AFTER PART

G = GALVANIZED (_WV**G**#)

A = ALUMINUM (_WV**A**#)

SKU	SIZE	A	B	C	D	E	F	G	H
_WV_3	3"	5.00	3.00	6.00	.5	8.50	12.375	6.625	5.375
_WV_4	4"	5.00	4.00	6.00	.5	8.50	12.3875	6.625	5.375
_WV_5	5"	6.00	5.00	7.00	.5	8.50	12.250	7.00	6.125
_WV_6	6"	7.0625	6.00	8.00	.5	8.50	12.750	8.00	7.375
_WV_7	7"	7.875	7.00	9.00	.5	8.50	13.750	9.00	7.875
_WV_8	8"	9.875	8.00	11.00	.5	8.50	13.625	11.00	9.812
_WV_10	10"	12.00	10.00	13.00	.5	8.50	15.00	13.50	11.812
_WV_12	12"	13.00	12.00	12.00	.5	8.50	17.250	14.5625	13.375
_WV_14	14"	15.00	14.00	14.00	.5	8.50	19.500	16.750	15.000

