



QUALITY DELIVERED QUICKLY!

GALVANIZED ROOF CAP/ATTIC VENT



3''-6'' Style



7''-24'' Style



Hard Connect

Multi-Purpose Galvanized Roof Caps in Sizes 3''-24'' Available Regular Connect or Hard Connect Extension

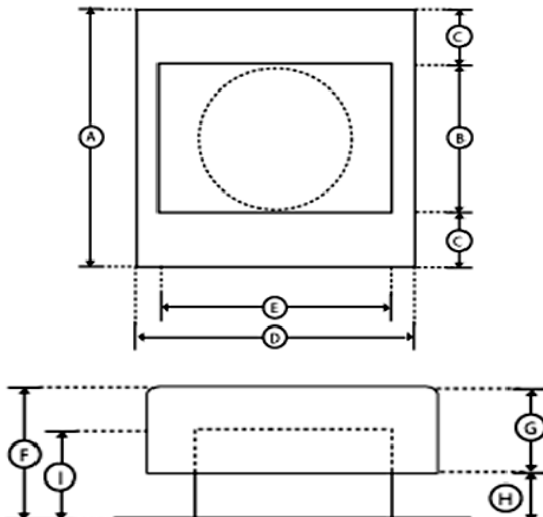
INFORMATION

- The Roof Cap/Attic Vent has a round connect for use as either an attic air ventilation cap or to ventilate home appliances including bathroom fans, kitchen range hoods or fans.
- Most kitchen appliances and household fans are now equipped with a built in damper; this allows the roof vent to be open and provide free air flow when the internal damper is open.

KEY PRODUCT SPECIFICATIONS

- Uses - Ventilate Attic or Exhaust Kitchen, Bath or Other Fans
- One-Quarter Inch Metal Screen Standard to Prevent Pests
- Made of Heavy Duty 26 Gauge Metal
- Need a Damper? Add an In-Line Butterfly Damper: Click below:

<http://stores.hvacexpress.com/-strse-In-dsh--Line-Dampers-cln-Butterfly-Dampers/Categories.bok>



MEASUREMENTS

Size	A	B	C	D	E	F	G	H	I
4''	9	4	2.5	9	6	3.25	1.75	1.625	2.5
6''	12	6	3	15	10	5.125	3.25	2	3.25
8''	15	8	3.5	15	12	5.5	3.5	1.875	3.25
10''	15	10	2.5	20	16	6.5	4.25	2.25	3.5
12''	20	12	4	24	19	6.75	4.625	2.125	3.5